

SPECIFICATIONS

Electrical Ratings	3A @ 120VAC, 28VDC; 1.5A @ 250VAC See contact options
Electrical Life	30,000 cycles typical
Contact Resistance	< 20 mΩ max initial @ 2-4VDC, 100mA
Dielectric Strength	1000Vrms min
Insulation Resistance	> 1,000MΩ min
Operating Temperature	-40°C to 85°C
Storage Temperature	-40°C to 85°C



Process Sealed
cRU[®] us - E222871


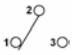

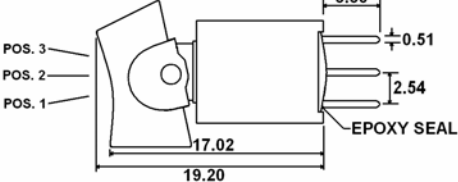
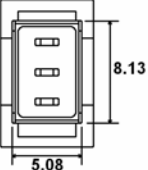
MATERIALS ←RoHS COMPLIANT


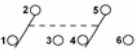

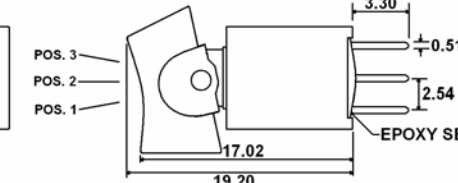
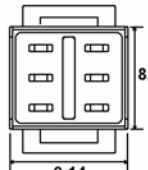
Actuator	6/6 Nylon, Glass Filled, Flame Retardant Heat Stabilized, UL94V-0
Housing	6/6 Nylon, Glass Filled, Flame Retardant Heat Stabilized, UL94V-0
Support Bracket	Brass, Tin Plated
Contacts	Copper Alloy, Silver Plated
Terminals	Copper Alloy, Silver Plated

ORDERING INFORMATION

Series:	BSR	1	3	R1	2			C	Q
BSR									
Number of Poles:									
1 = SPDT									
2 = DPDT									
Switch Function:									
1 = ON-NONE-ON									
2 = ON-NONE-(ON)									
3 = ON-OFF-ON									
4 = (ON)-OFF-(ON) ** Only available in SPDT									
5 = ON-OFF-(ON) ** Only available in SPDT									
Actuator:									
R1 = Rocker, PC Mount									
R2 = Rocker, PC Mount									
Actuator Color:									
1 = White									
2 = Black									
3 = Red									
Actuator Marking Style:									
Blank = No Marking									
A									
B									
C									
Actuator Marking Color:									
Blank = No Marking									
W = White (Standard)									
B = Black									
Terminals:									
C = PC Pin									
H = Horizontal Mount, Right Angle PC Pin; HS = Snap-in									
V = Vertical Mount, Right Angle PC Pin; VS = Snap-in									
A5 = PC Pin with Support Bracket; A5S = Snap-in Support Bracket									
Contacts:									
Q = Silver Plated									
R = Gold Plated									
G = Gold over Silver Plated									

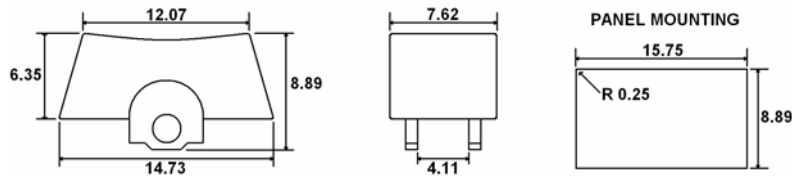
SWITCH FUNCTION

 SPDT 	Function	Toggle Position			  
		1	ON	NONE	
	2	ON	NONE	(ON)	
	3	ON	OFF	ON	
	4	(ON)	OFF	(ON)	
	5	ON	OFF	(ON)	
Terminals	2-3	---	2-1		

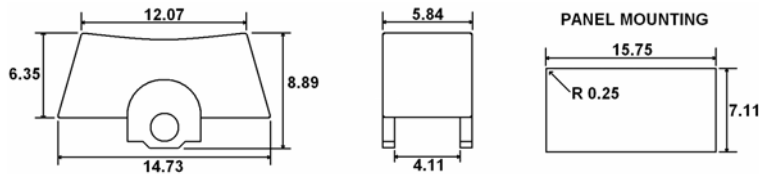
 DPDT 	Function	Toggle Position			  
		1	ON	NONE	
	2	ON	NONE	(ON)	
	3	ON	OFF	ON	
Terminals	2-3	---	2-1		

ACTUATOR OPTIONS

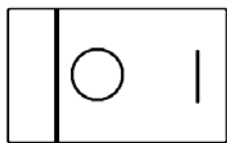
R1



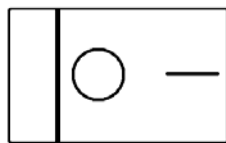
R2



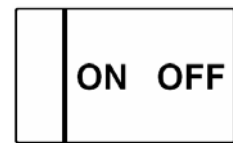
ACTUATOR MARKINGS



A

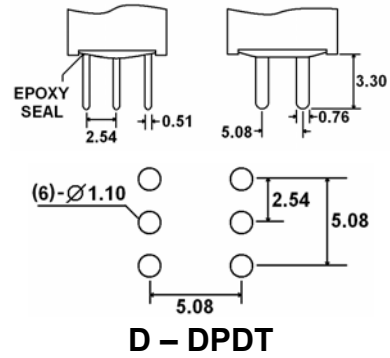
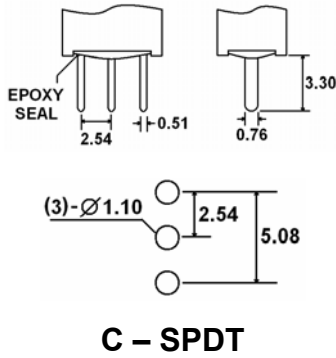


B

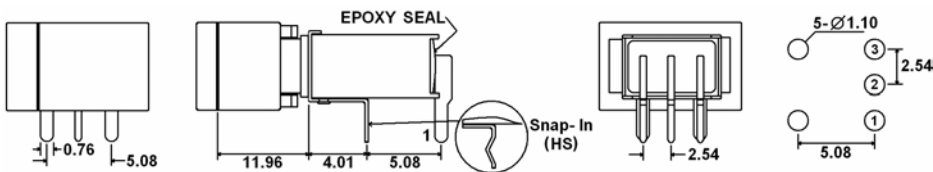


C

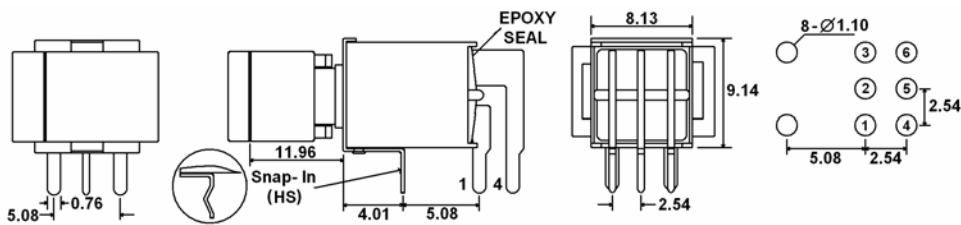
TERMINAL OPTIONS



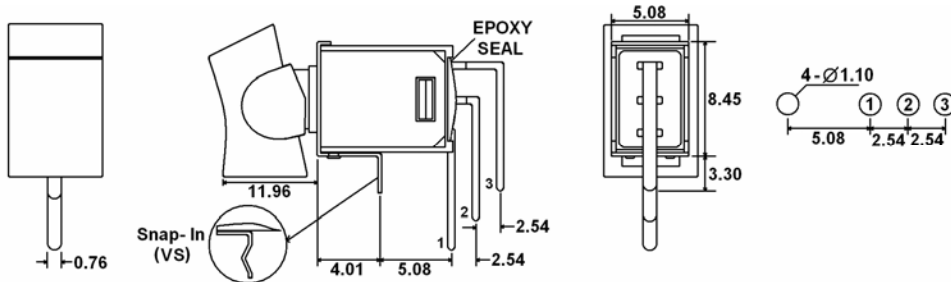
TERMINAL OPTIONS



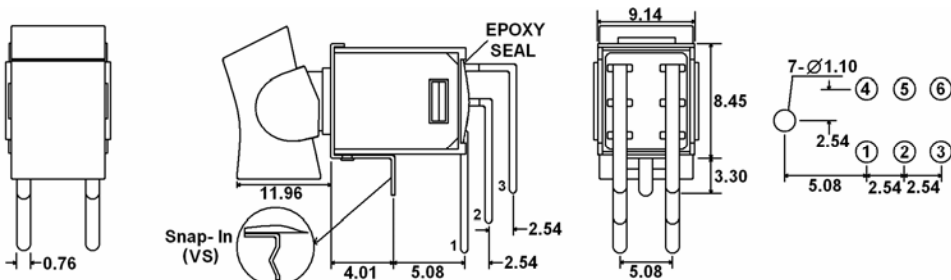
H (HS – Snap-in) = Horizontal Mount, Right Angle PC Pins (SPDT)



H (HS – Snap-in) = Horizontal Mount, Right Angle PC Pins (DPDT)

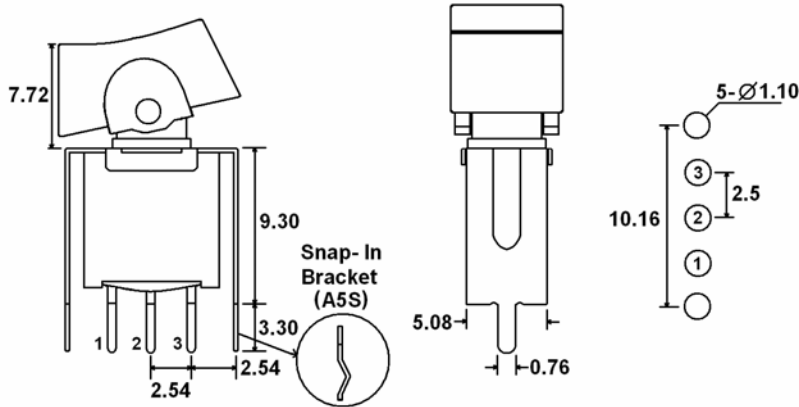


V (VS – Snap-in) = Vertical Mount, Right Angle PC Pins (SPDT)

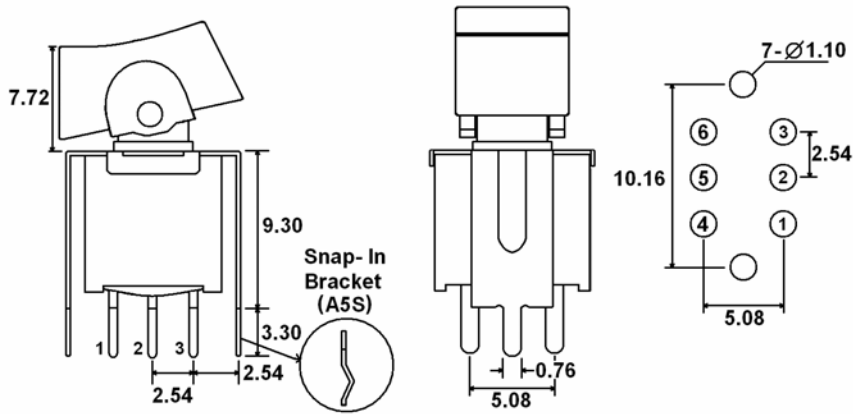


V (VS – Snap-in) = Vertical Mount, Right Angle PC Pins (DPDT)

TERMINAL OPTIONS



A5 (A5S – Snap-in Bracket) = PC Pins with Support Bracket (SPDT)



A5 (A5S – Snap-in Bracket) = PC Pins with Support Bracket (DPDT)

CONTACT OPTIONS

Designator	Contact Material	Terminal Material	Electrical Ratings
Q	Silver Plating	Silver Plating	3A @ 120VAC, 28VDC; 1.5A @ 250VAC
R	Gold over Nickel Plating	Gold over Nickel Plating	.4 VA max @ 20VAC or VDC max
G	Gold over Silver Plating	Gold over Silver Plating	.4 VA max @ 20VAC or VDC max or 3A @ 120VAC, 28VDC; 1.5A @ 250VAC